

ART.2280



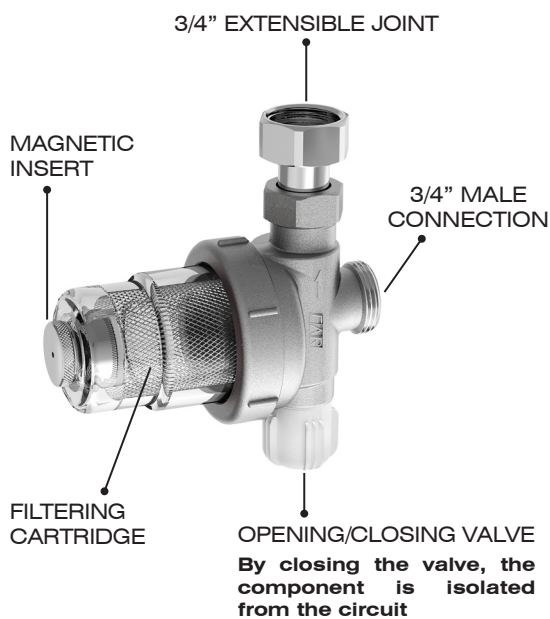
POCKETFAR - Under-boiler chrome-plated dirt separator filter for domestic systems, complete with magnetic insert for ferrous particles removal.

- Connections to pipelines: 3/4" M-F
- 1cm extensible fitting for boiler connection
- Removable magnetic insert in Neodymium
- Opening/closing handle for extraordinary maintenance
- Inner mesh in AISI304 steel with filtration level of 700µm

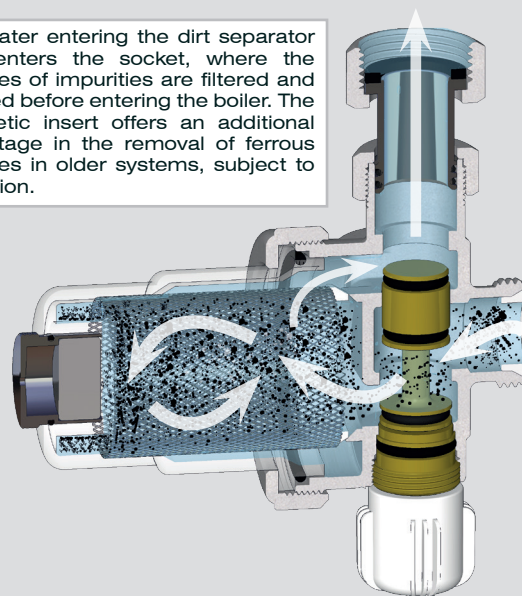
1 DESCRIPTION

The POCKETFAR dirt separator filter catches all the impurities and the iron particles that deposit inside the system over the time, thus safeguarding the life of the boiler. Carry out a thorough washing of the system before installing PocketFAR.

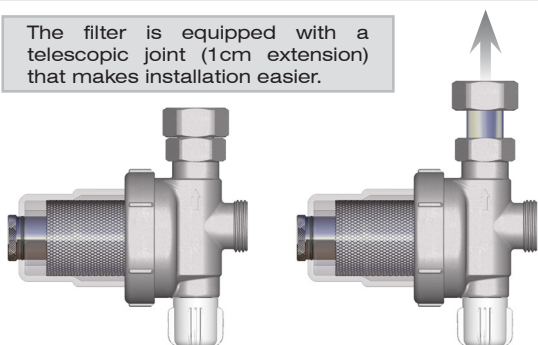
2 WORKING PRINCIPLE AND DETAILS



The water entering the dirt separator filter enters the socket, where the particles of impurities are filtered and blocked before entering the boiler. The magnetic insert offers an additional advantage in the removal of ferrous particles in older systems, subject to corrosion.



The filter is equipped with a telescopic joint (1cm extension) that makes installation easier.



In order to get the 3/4" EUROKONUS connection, remove the white plastic insert.



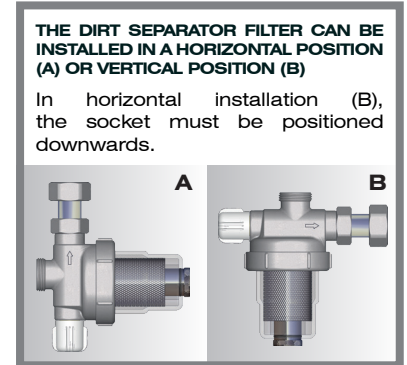
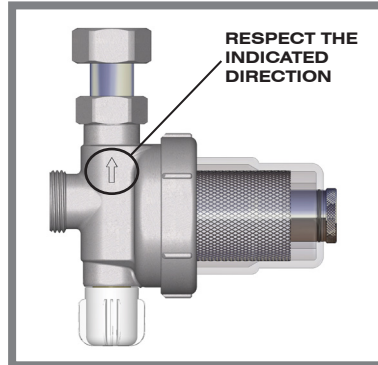
3 INSTALLATION

PocketFAR should be placed on the return line before the boiler, in order to catch all the impurities that might damage the boiler and pumps.

For proper operation of PocketFAR follow the direction indicated on the body



WARNING: People with pacemakers must stay at a safe distance during the operation and maintenance of PocketFAR due to the presence of magnetic parts.
Pay attention to the use of electronic equipment near magnetic inserts to avoid interference.

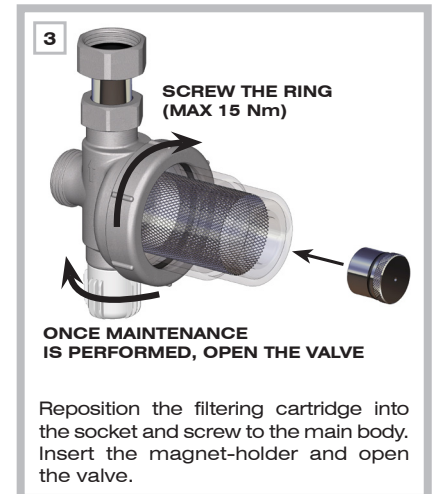
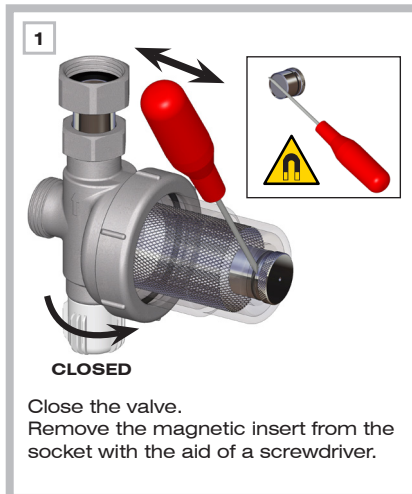


4 MAINTENANCE

PocketFAR requires periodic cleaning to guarantee proper operation.



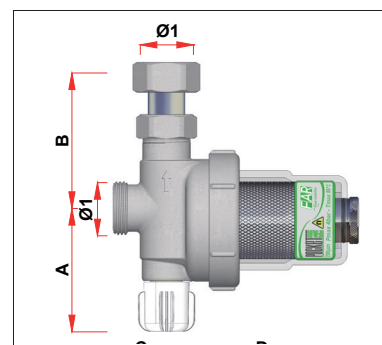
Before proceeding with maintenance, shut-off the valve by turning the white handle counter-clockwise, thus isolating PocketFAR from the system.



5 TECHNICAL FEATURES

- Body material: CB753S brass
- White handle: ABS
- Filtering cartridge: AISI304
- O-ring: EPDM
- Socket for dirt collection: PA12
- Filtration level: 700 μm
- Kv: 3.3 m^3/h
- Max working temperature: 85°C
- Max working pressure: 4 bar
- Boiler side connection: 3/4" swiveling nut
- System side connection: 3/4" male eurokonus, with flat faced insert

6 DIMENSIONAL FEATURES



ART. 2280

CODE	Ø1	A	B	C	D
2280 34	3/4"	94	26	61	54-65